

# CCS Technical Documentation

## RH-3 Series Transceivers

# Disassembly

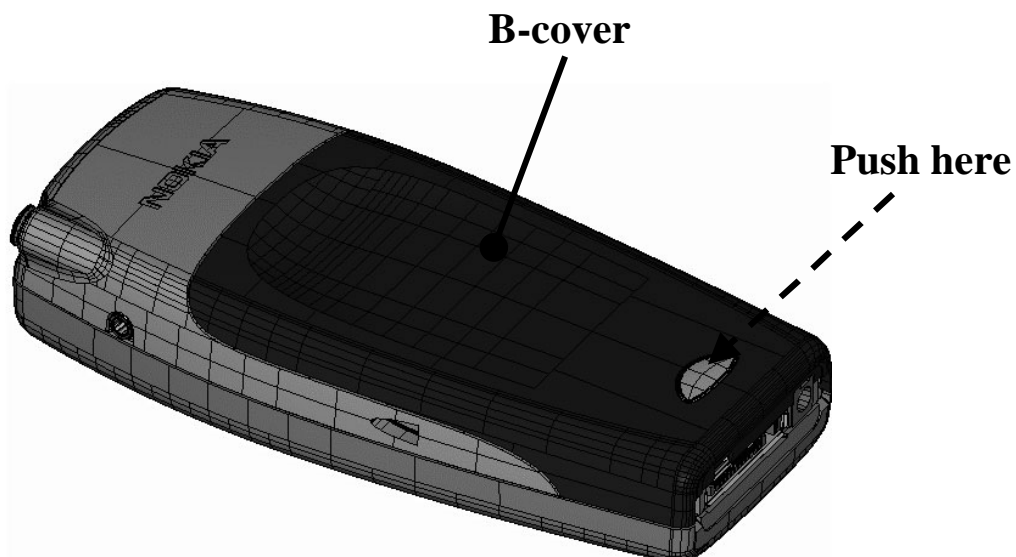


**ESD Protection**

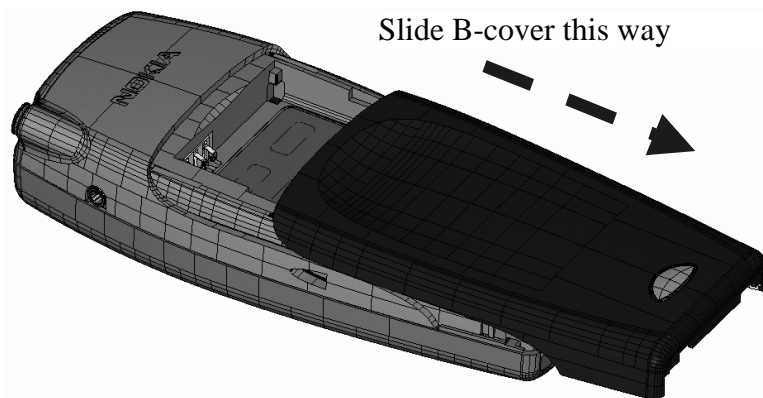


**Step-by-Step Disassembly Instructions**

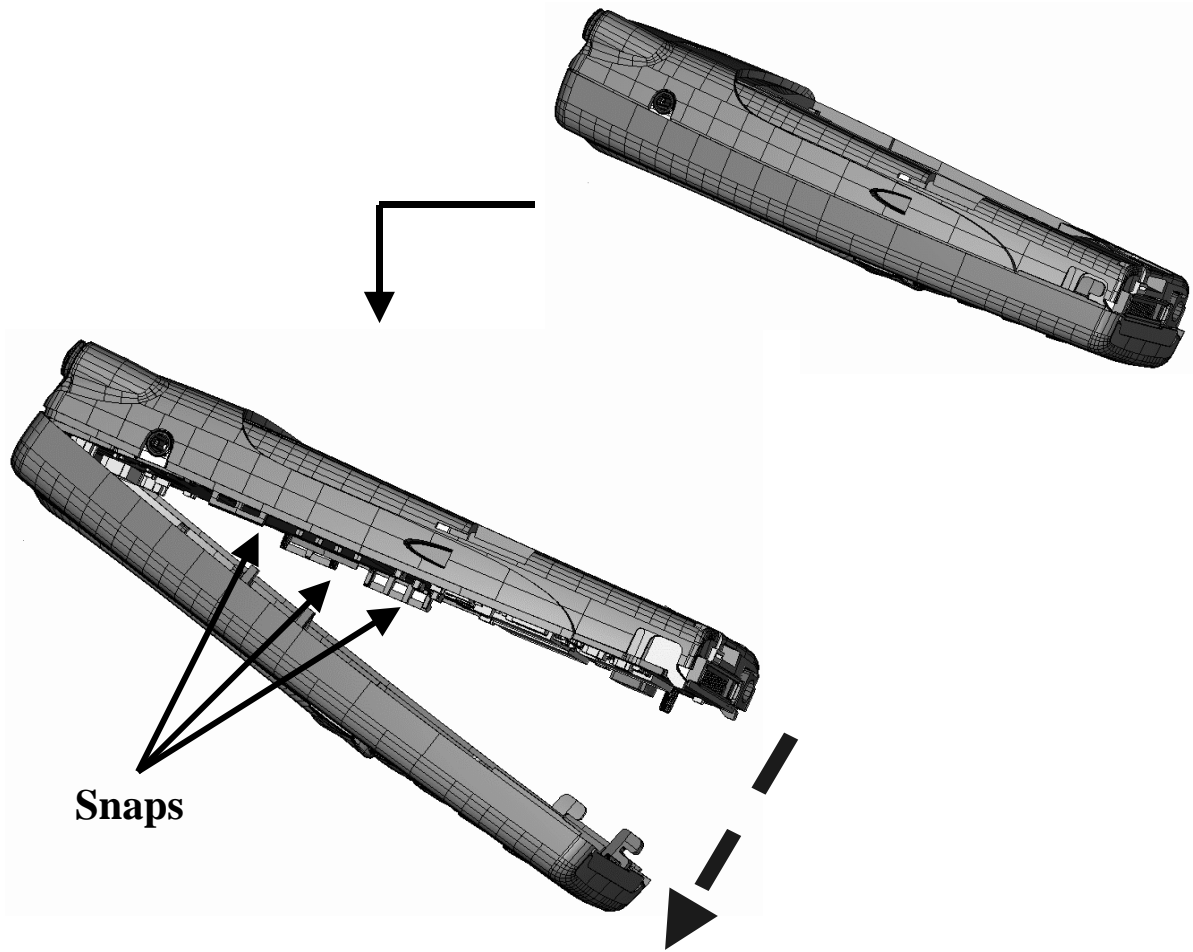
Remove the battery cover (B-cover)



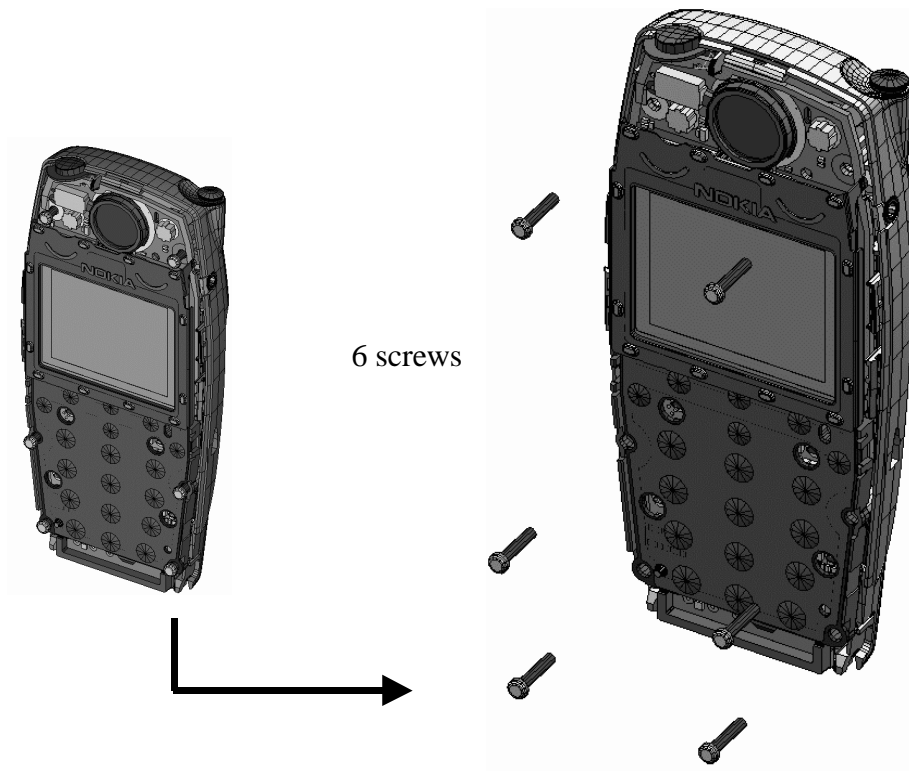
- 1 Turn the phone off.
- 2 Remove the battery cover (B-cover) by pushing down on the release button.
- 3 Remove battery.



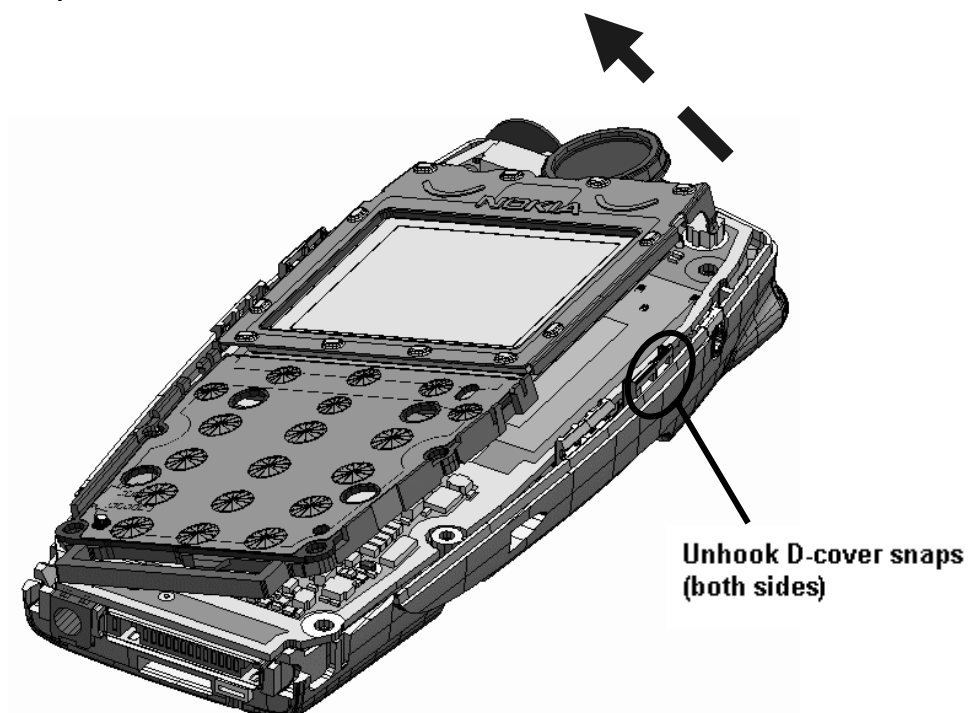
Remove A-cover



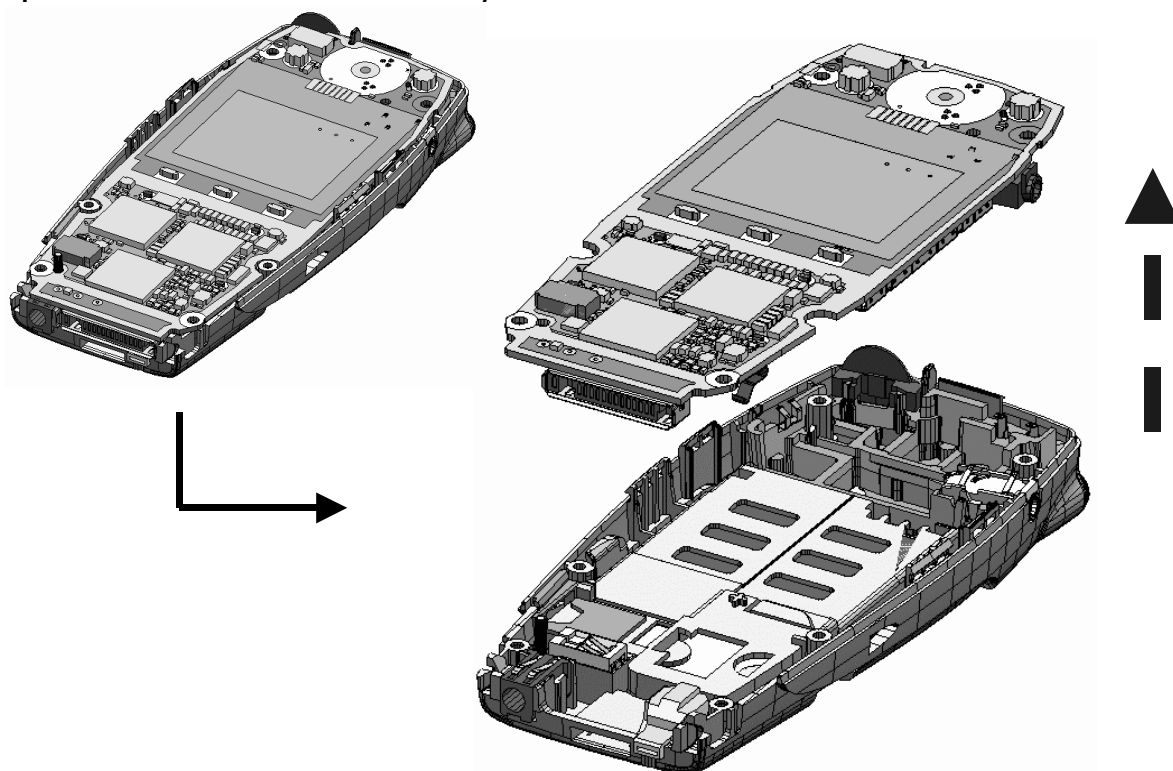
Remove screws using a nonconductive screwdriver



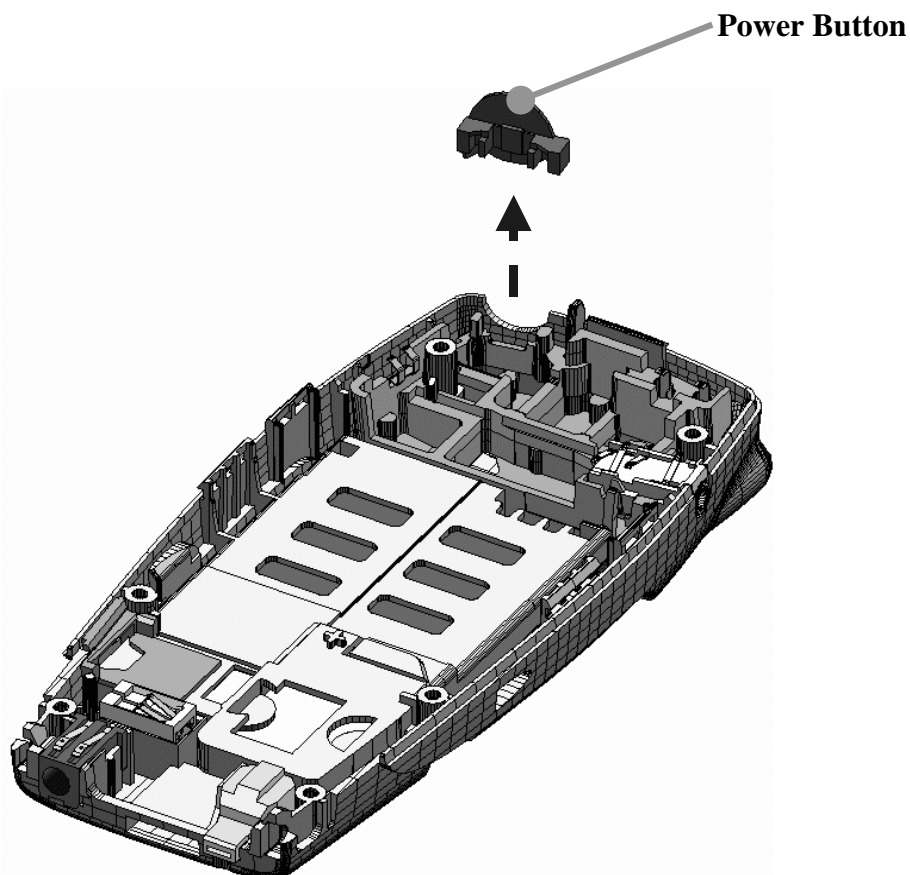
Remove LCD Assembly



Separate PWB from D-cover Assembly

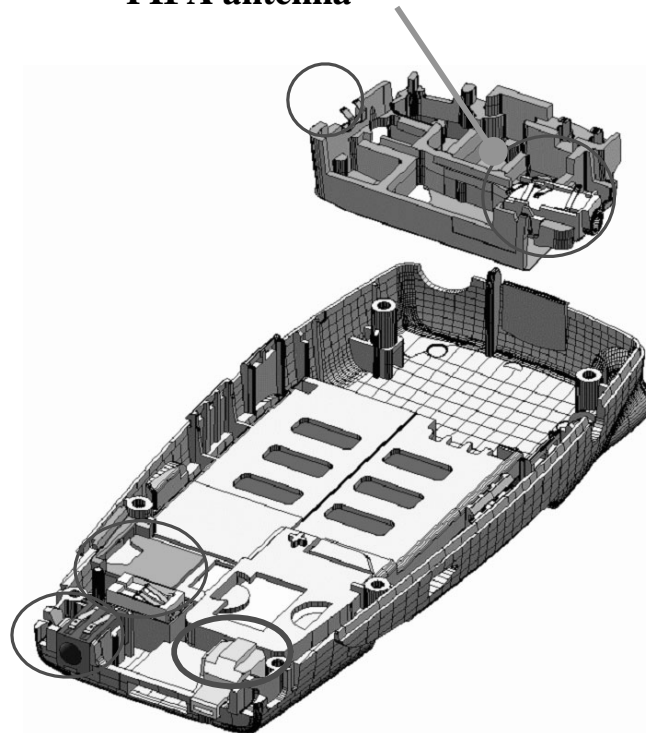


Power Key Removal



## PIFA Antenna Removal

## PIFA antenna



DO NOT TOUCH gold contacts with bare fingers!

## Other Item Removal

- Headset jack (in PIFA antenna)
- Whip assembly
- DC jack
- Microphone
- Buzzer gasket
- Vibra motor

